

NITRODOSE[®] G3 and G3 Pro

Introducing the latest advancements in liquid nitrogen dosing

Liquid Nitrogen Dosing System

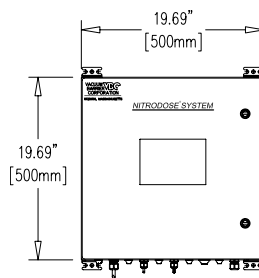
Advanced liquid nitrogen dosing performance and durability with powerful control systems precisely delivering low pressure liquid nitrogen at line speeds up to 2000 CPM.

NITRODOSE[®] features:

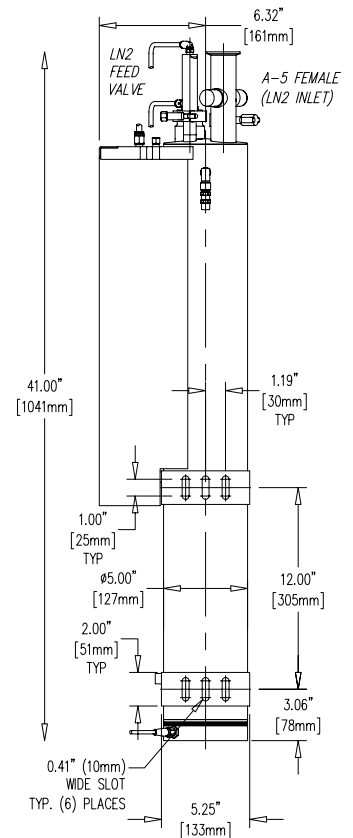
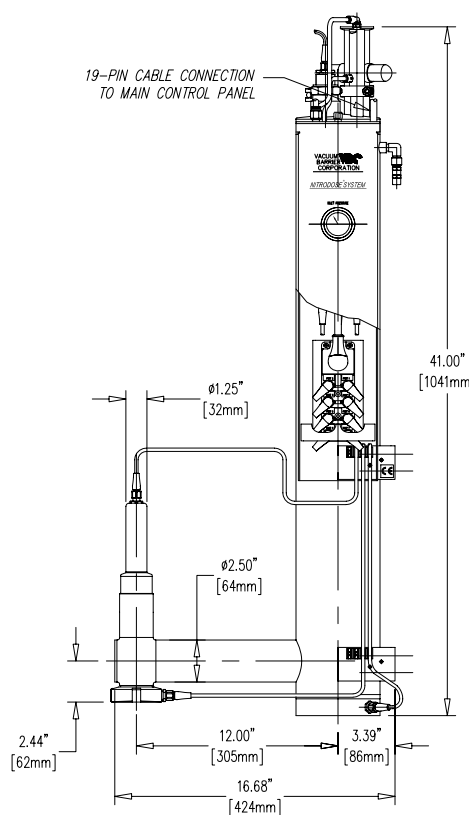
- Multiple on-board language and recipe storage
- Self-monitored with alarm outputs
- Smartsync technology
- Remote dosing initiation
- Speed and dose compensation
- Self-generating N₂ purge
- Remote activated warm-up feature initiated through HMI
- Optional automatic CIP protection
- Optional independent overflow detection

Since 1958

Control panels



Doser views



Features	NITRODOSE® G3	NITRODOSE® G3 Pro
Maximum Discrete Dosing Speed (CPM)	450	2000
Continuous Stream Capabilities	std	std
Allen Bradley PLC	Micro 850	Micro 850
Siemens PLC	S7-1200	S7-1200
AB Panelview Component 800, 7" Touchscreen HMI	color	color
Siemens KTP 700, 7" Touchscreen HMI	color	color
Minimum Dose Duration (enhanced resolution)	25.0 ms	6.0 ms
Smartsync Technology	std	std
Accuracy by Dose Weight	+/- 3%	+/- 3%
Real-Time Graphical User Interface (GUI)	std	std
Speed & Dose Compensation	std	std
Recipe Storage	std	std
Five On-Board Languages	std	std
Continually Self-Monitored for Alarm Conditions	std	std
Number of Built-In Alarm Relays	4	4
Maximum Direct LN ₂ Feed Pressure, psi (bar)	125 (8.6)	125 (8.6)
Required Air Pressure, psi (bar)	50 - 100 (3.4 - 6.9)	50 - 100 (3.4 - 6.9)
Remote Activated Warm-Up Feature through HMI	std	std
Electric Dosing Valve	std	std
Clean Hygienic Design	std	std
Lowest Dosing Pressure	0.3 psi (0.02 bar)	0.3 psi (0.02 bar)
Self-Generating N ₂ Purge	std	std
Sub-Cooled LN ₂ to Improve Dosing Accuracy	std	std
Remote Dosing Initiation	std	std
Automatic CIP Protection	opt	opt
Directional Dose Dispersion Blocks	opt	opt
Independent Overflow Detection	opt	opt
Dosing Software for In-Line Fillers/Cappers	opt	opt

4-year warranty on all systems.