

# DOHMEYER

CRYOGENIC • FREEZING • PRECISION

## Cryo Screw Freezer



**Cryogenics give you  
fast, efficient, quality  
assured freezing**



# Cryo Screw Freezer

With a compact flexible design the screw freezer can be specified to suit your process, the paddles within the injection zone are manufactured to suit the product, and can be used with either LCO<sub>2</sub> or LN<sub>2</sub>. The injectors are fed through vacuum insulated line with integrated safety valves, guaranteeing instant, close controlled, cooling and can be oriented for top or bottom injection. The screw itself is fully removable for cleaning, it comes fitted with rotation detection, coded sensors and boundary temperature control.



Vacuum insulation



Improved efficiency



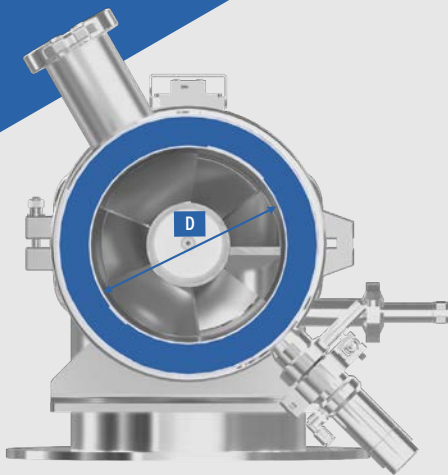
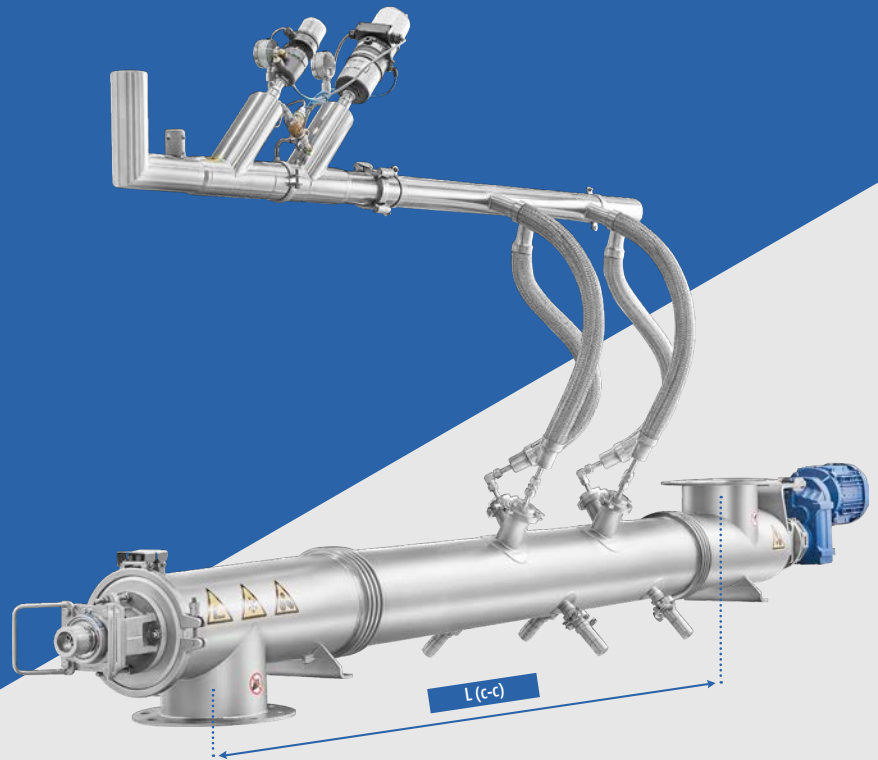
Increased safety



Reduced freezing time



Easy to clean

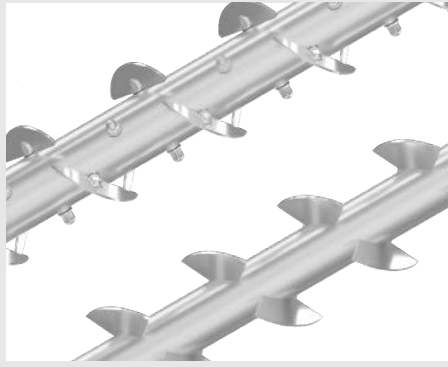


TYPE	SCREW DIAMETER D [MM]	LENGTH SYSTEM L [MM]	CAPACITY [M <sup>3</sup> /H]
CKR100P	Ø104	1500	1,25
CKR100P	Ø104	2000	1,25
CKR150P	Ø154	2000	3,00
CKR150P	Ø154	2500	3,00
CKR200P	Ø202	2500	7,00
CKR200P	Ø202	3000	7,00
CKR250P	Ø248	3000	15,00
CKR250P	Ø248	4000	15,00

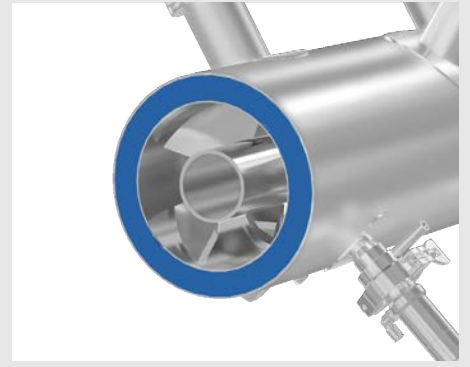
**PRODUCTIVITY • EFFICIENCY**



**Top or bottom injection**  
To suit the product, for optimum heat transfer and processing



**Fixed or adjustable paddles**  
Paddles can be adjustable to match product and throughput requirement



**VIP insulation**  
Prevention of heat ingress, improves efficiency and reduces cold surfaces

**SAFETY**



**Coded sensors at the removable parts**  
Ensures that equipment is fully assembled and secure in use, sensors are in matched pairs and circuit must be complete prior to operation



**Safety valve for LIN-injection**  
Integrated pressure relief and secondary shut off valve for safety



**Boundary and deviation temperature control**  
Additional temperature measurement to supplement safety and process controls

**HYGIENE**



**Extractable screw for cleaning**  
Can be fully removed for easy cleaning and inspection



**Hygienic design**  
Easily cleaned and designed for use with high temp washdown

**FLEXIBILITY**



**Flexibility**  
Compact design, easily integrated and fitted to production lines with a full range of sizes and production throughputs



**Dual Fluid**  
Designed for use with either Liquid Nitrogen or Carbon Dioxide



# DOHMEYER

CRYOGENIC • FREEZING • PRECISION

Dohmeyer is a leading global manufacturer of cryogenic refrigeration systems for the food processing, pharmaceutical, aeronautic, plastics and steel industries.



## Support:

Dohmeyer are available 24/7 giving access to our specialist support teams providing help and advice to all our customers.



## Contact:

Poland

+48 17 774 54 70

Belgium

+32 9 241 52 22

USA

+1 (833)364-6393



[WWW.DOHEMEYER.COM](http://WWW.DOHEMEYER.COM)

